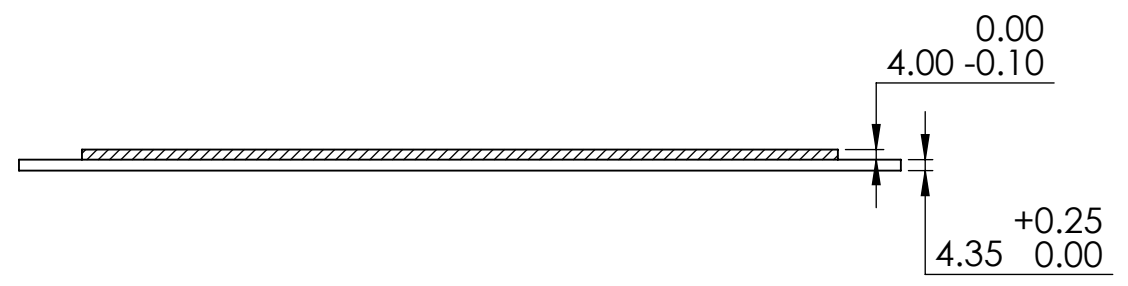
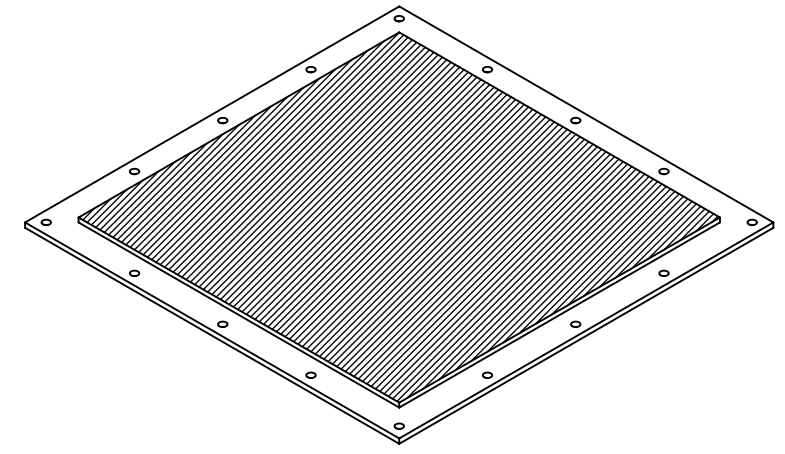
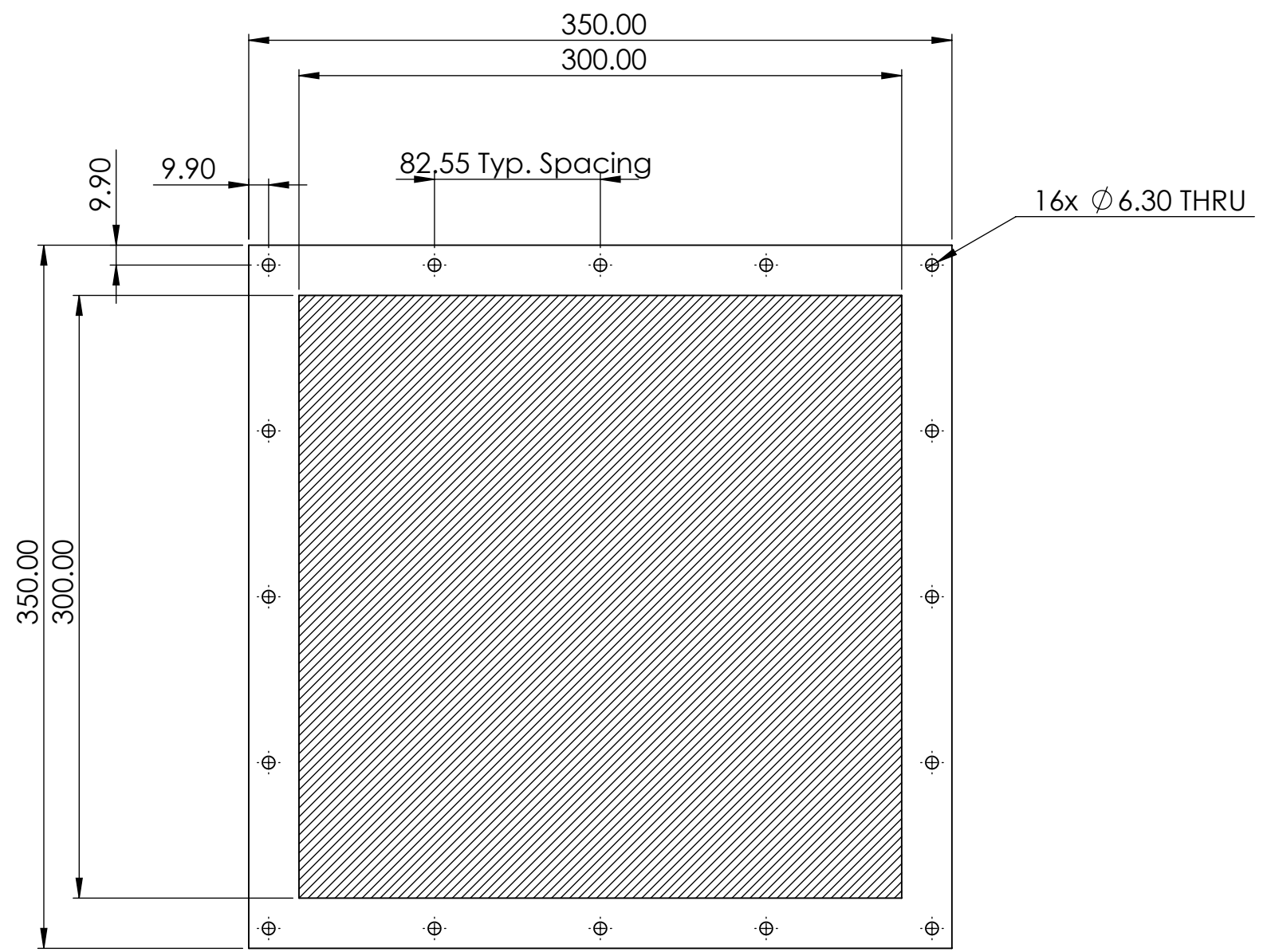


8 7 6 5 4 3 2 1

D
C
B
A



- Notes:
1. Material: Aluminum 1100-H14
 2. Fin Geometry:
BP-1001A - 4mm 20 FPI ILPF
BP-1001B - 4mm 12 FPI ILPF

| | | | | |
|--|--------|----------------------------|----------|-----------------|
| UNLESS OTHERWISE SPECIFIED: | | | | |
| DIMENSIONS ARE IN MILLIMETERS TOLERANCES: FRACTIONAL ± ANGULAR: MACH ± BEND ± TWO PLACE DECIMAL ± 0.25 THREE PLACE DECIMAL ± 0.15 | | | | |
| INTERPRET GEOMETRIC TOLERANCING PER: | | TITLE: Standard BP-1001 | | |
| MATERIAL | FINISH | SIZE B | DWG. NO. | REV A |
| DO NOT SCALE DRAWING | | SCALE: 1:5 | WEIGHT: | SHEET 1 OF 1 |

PROPRIETARY AND CONFIDENTIAL
 THE INFORMATION CONTAINED IN THIS DRAWING IS THE SOLE PROPERTY OF WOLVERINE TUBE INC. ANY REPRODUCTION IN PART OR AS A WHOLE WITHOUT THE WRITTEN PERMISSION OF WOLVERINE TUBE INC IS PROHIBITED.

8 7 6 5 4 3 2 1