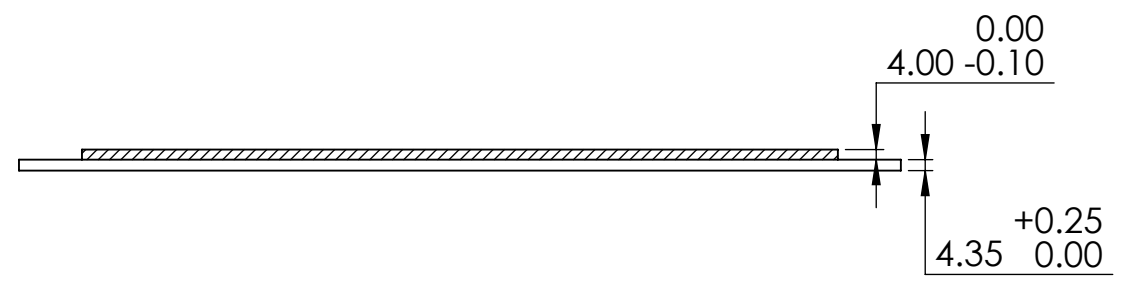
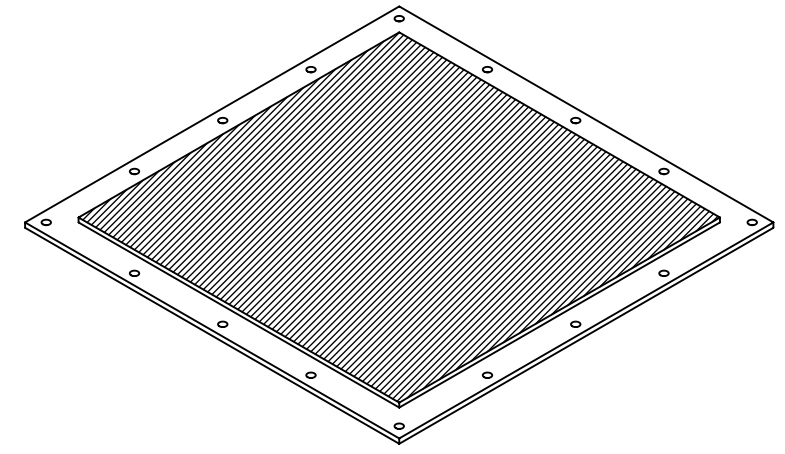
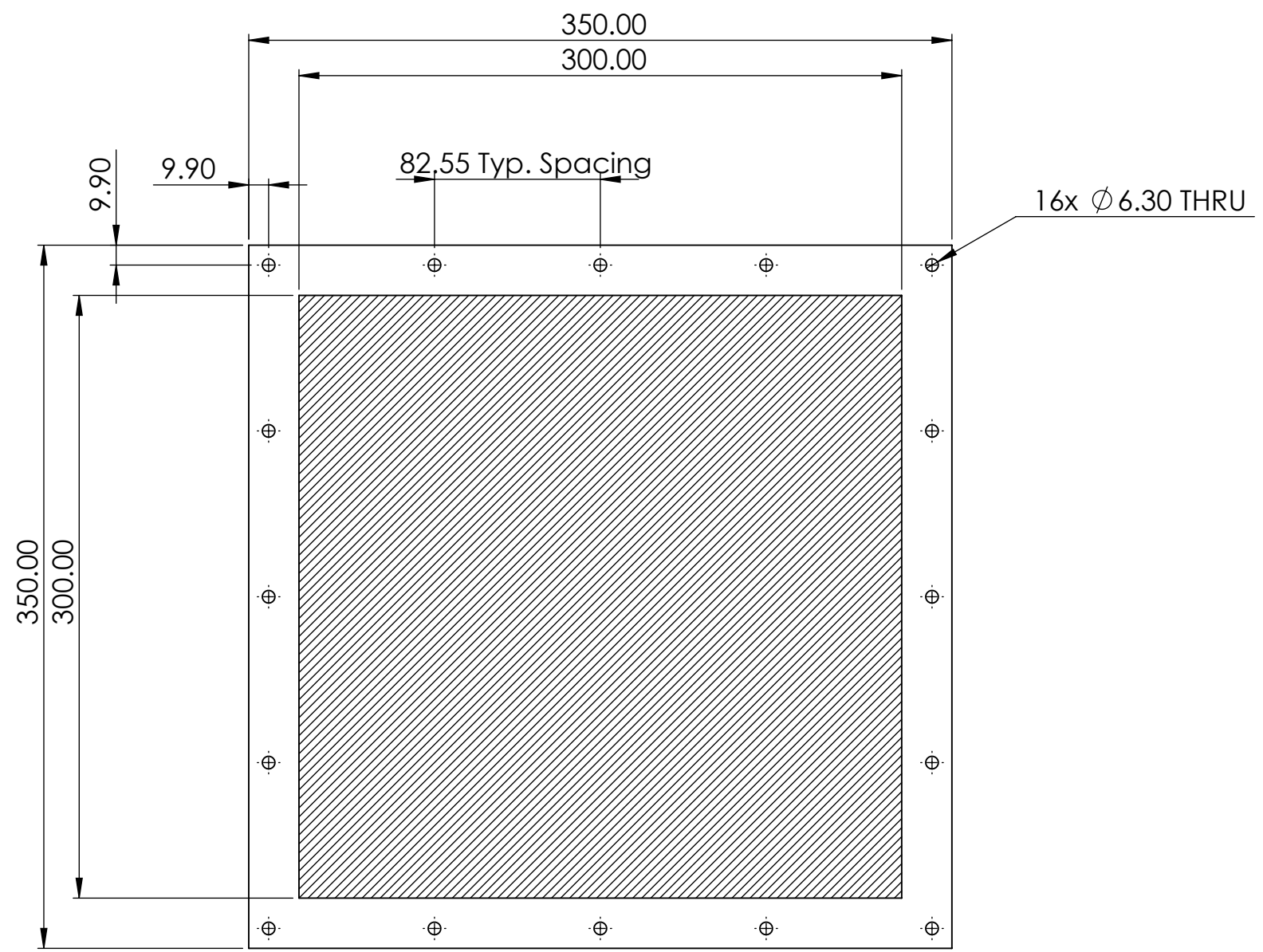


8 7 6 5 4 3 2 1

D
C
B
A



- Notes:
1. Material: Copper 110
 2. Fin Geometry:
BP-1002A - 4mm 20 FPI ILPF
BP-1002B - 4mm 12 FPI ILPF

UNLESS OTHERWISE SPECIFIED:

DIMENSIONS ARE IN MILLIMETERS

TOLERANCES:

FRACTIONAL	±
ANGULAR: MACH	±
BEND	±
TWO PLACE DECIMAL	± 0.25
THREE PLACE DECIMAL	± 0.15

INTERPRET GEOMETRIC TOLERANCING PER:

MATERIAL	
FINISH	

DO NOT SCALE DRAWING



TITLE: Standard BP-1002		
SIZE B	DWG. NO.	REV A
SCALE: 1:5	WEIGHT:	SHEET 1 OF 1

PROPRIETARY AND CONFIDENTIAL

THE INFORMATION CONTAINED IN THIS DRAWING IS THE SOLE PROPERTY OF WOLVERINE TUBE INC. ANY REPRODUCTION IN PART OR AS A WHOLE WITHOUT THE WRITTEN PERMISSION OF WOLVERINE TUBE INC IS PROHIBITED.

8 7 6 5 4 3 2 1